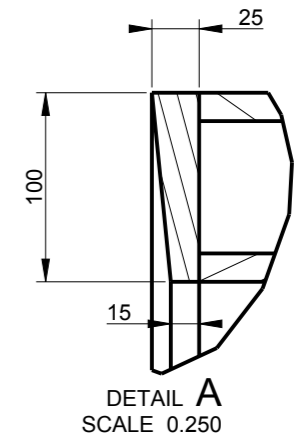
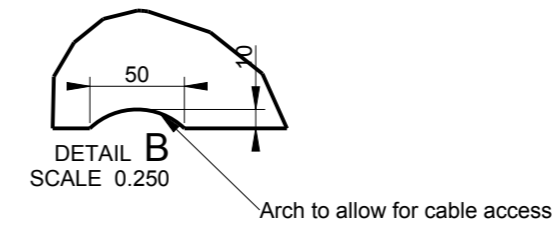


SEE DETAIL B

Space to allow access to Mains Lead



ISSUE	MODIFICATIONS	OCN	APPD	DATE	NOTES
A	Pricing Release	----	R.K	24/02/16	

DO NOT SCALE
IF IN DOUBT ASK

THIRD ANGLE PROJECTION

GLEN DIMPLEX RESEARCH & DEVELOPMENT
Dunleer, Co.Louth, Ireland. Tel: 041 9800204. Fax: 041 6851464.

DRAWN BY R.Kelly	DATE 24/02/2016	SCALE	HOLE TOL +/-0.05	GEN TOL 0 +/-0,4
APP'D BY	DATE	DIM IN mm	ANGLES +/-0.5°	0,0 +/-0,2 0,00 +/-0,1
MATERIAL Painted MDF	FINISH Please See Notes		R.o.H.S. All material must comply with the requirements of European Directive 2002/95/EC on the restriction of the use of certain hazardous substances.	

THIS DRAWING IS SUPPLIED IN CONFIDENCE AND THE COPYRIGHT THEREOF IS THE PROPERTY OF GLEN DIMPLEX: IT MUST NOT BE USED BY A THIRD PARTY WITHOUT PRIOR PERMISSION. ©2014

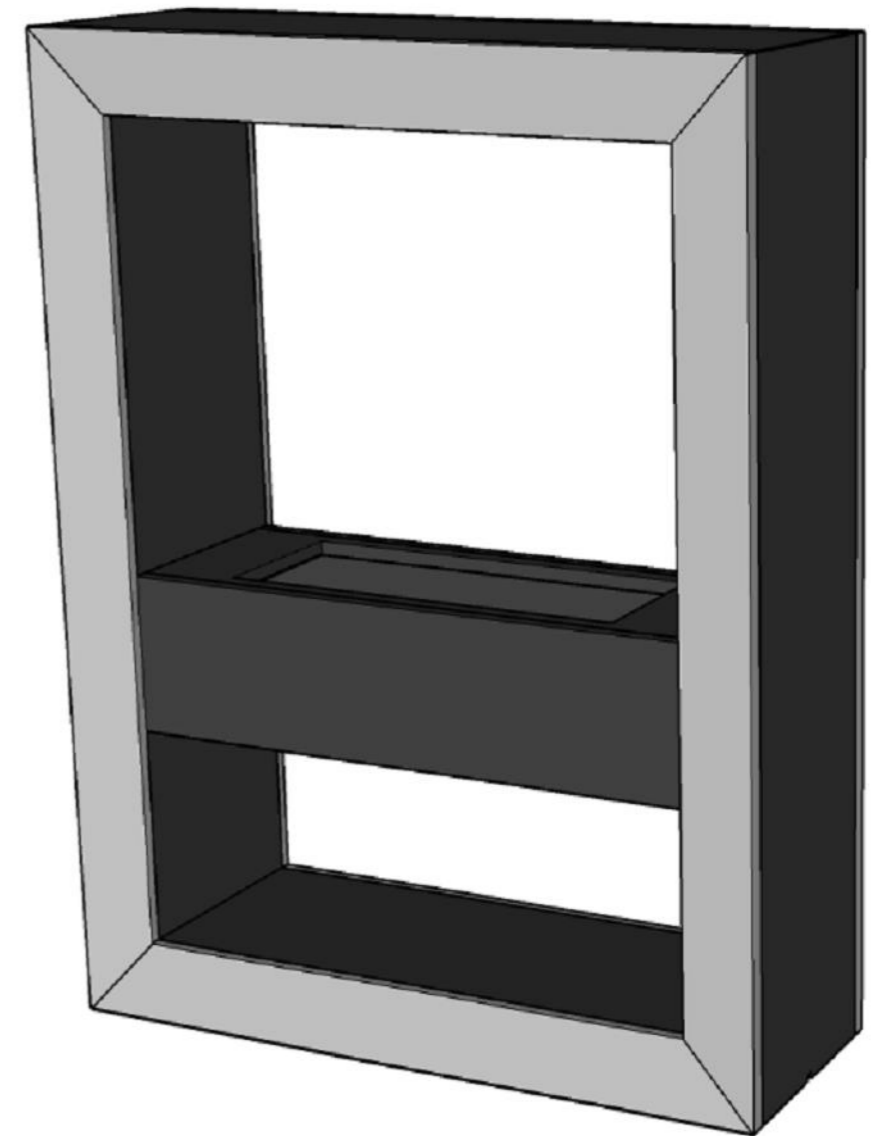
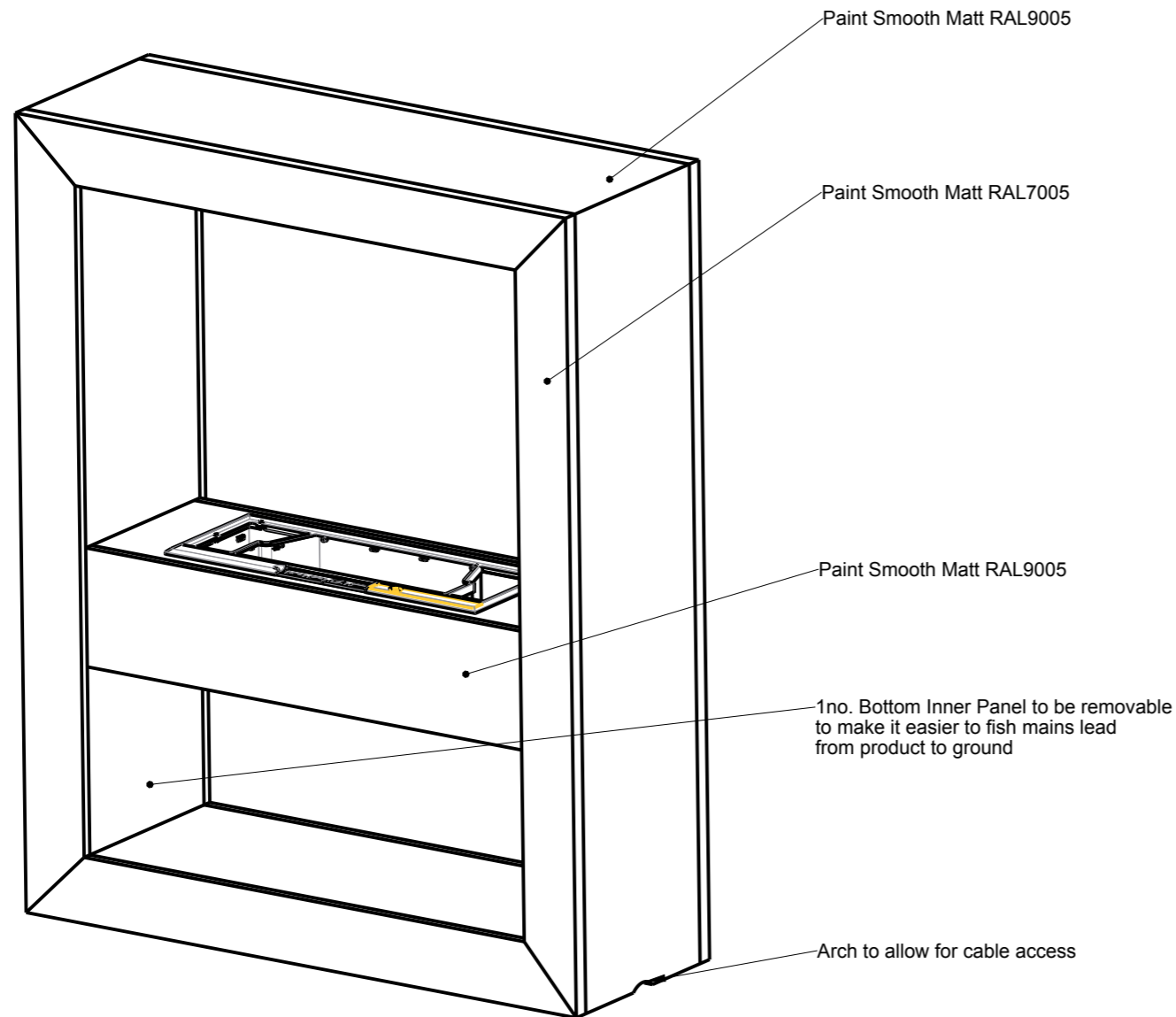
PROJECT: **FABER NPD 2016**

TITLE: **GUILLOTINE**

DRG NO: **07/20411/0**


NO. OFF: **A3**

Sht 1 of 2



SCALE 0.100

ISSUE	MODIFICATIONS	OCN	APPD	DATE	NOTES
A	Pricing Release	----	R.K	24/02/16	

 GLEN DIMPLEX RESEARCH & DEVELOPMENT Dunleer, Co.Louth, Ireland. Tel: 041 9800204. Fax: 041 6851464.					THIS DRAWING IS SUPPLIED IN CONFIDENCE AND THE COPYRIGHT THEREOF IS THE PROPERTY OF GLEN DIMPLEX: IT MUST NOT BE USED BY A THIRD PARTY WITHOUT PRIOR PERMISSION. ©2014								
DRAWN BY R.Kelly			DATE 24/02/2016		SCALE		HOLE TOL +/-0.05		GEN TOL 0 +/-0,4		PROJECT FABER NPD 2016		
APP'D BY			DATE		DIM IN mm		ANGLES +/-0.5°		0,0 +/-0,2 0,00+/-0,1		TITLE GUILLOTINE		
MATERIAL Painted MDF			FINISH Please See Notes		R.o.H.S. All material must comply with the requirements of European Directive 2002/95/EC on the restriction of the use of certain hazardous substances.		DRG NO 07/20411/0		NO. OFF:		A3		
DO NOT SCALE					THIRD ANGLE PROJECTION							Sht 2	
IF IN DOUBT ASK												of 2	